



 **GUSS**
GUSSAG.COM



Welcome to the future

GUSS solves the problems associated with spraying orchards. Our self-driving sprayers make spraying faster, safer, and easier — row after row, field after field, day or night.

A solution to labor challenges

GUSS drives itself. A single employee can monitor up to 8 GUSS sprayers at a time.

Enhanced safety

Eliminate human error, reduce exposure to materials being applied, and reduce need for PPE, shade, water, etc.



Increased efficiency

Get rid of operator downtime and breaks, while increasing speed, consistency, and efficiency of application.

Ultimate precision

Precisely control application rates and sprayer speeds across entire fields and in variable terrain.

Autonomous technology

GUSS uses a combination of GPS, LiDAR, sensors, and software to guide GUSS safely and efficiently through orchards.

6' 4"



24'



8' 3" (wide option)
7' 6" (narrow option)

Specifications

GUSS uses proven, dependable parts that growers know and trust. Decades of experience in the spraying business allows us to choose designs and components that work.

Learn more at
our website:

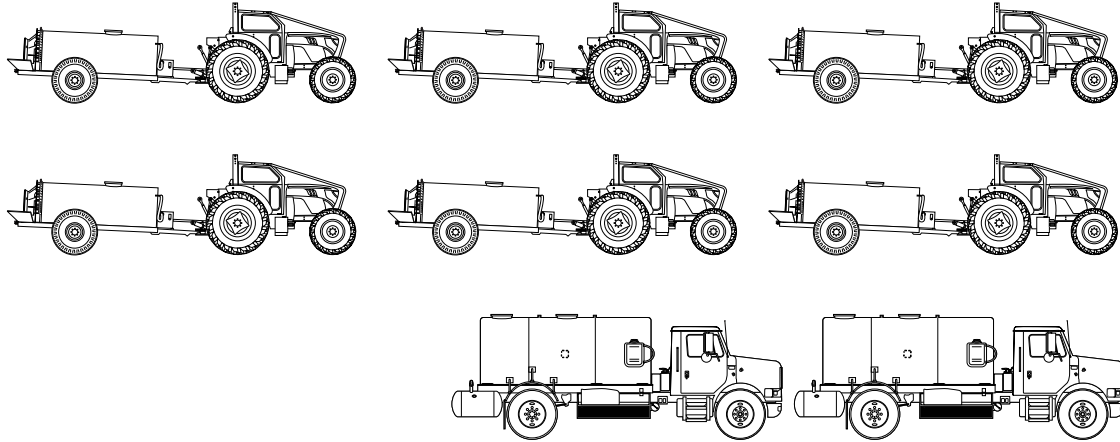


Empty weight	11,660 lbs
Engine	Cummins F3.8 173hp Stage V Diesel
Fuel capacity	90 Gallon Fuel Cell (~13 to 14 hour run time)
Engine fan	Clean Fix reversing engine fan
Drive type	4 Wheel drive
Steering	4 Wheel steering
Tires	Titan HTLR 380/85R24 (wide option) Titan HTLR 320/85R24 (narrow option)
Body	Stainless Steel hood, roof, doors and fan housing
Material tank	600 Gallon Stainless Steel Tank
Fan	36" Direct Drive Breeza Fan
Pump	Myers 2 Stage Centrifugal Pump
Spray nozzles	32 Nozzle Spray Manifold w/ Individual Shutoffs

Learn more at
our website:

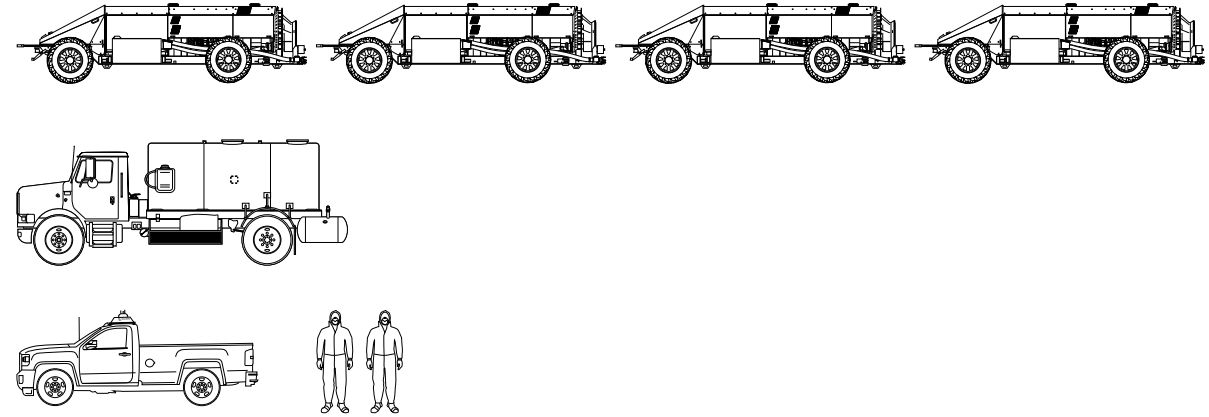


Conventional



- 6 conventional tractors
- 6 conventional sprayers
- 2 nurse trucks
- 8 workers with PPE

GUSS



- 4 GUSS sprayers
- 1 nurse truck
- 1 pickup with GUSS supervisor laptop
- 2 workers with PPE

Case study: GUSS at medium scales

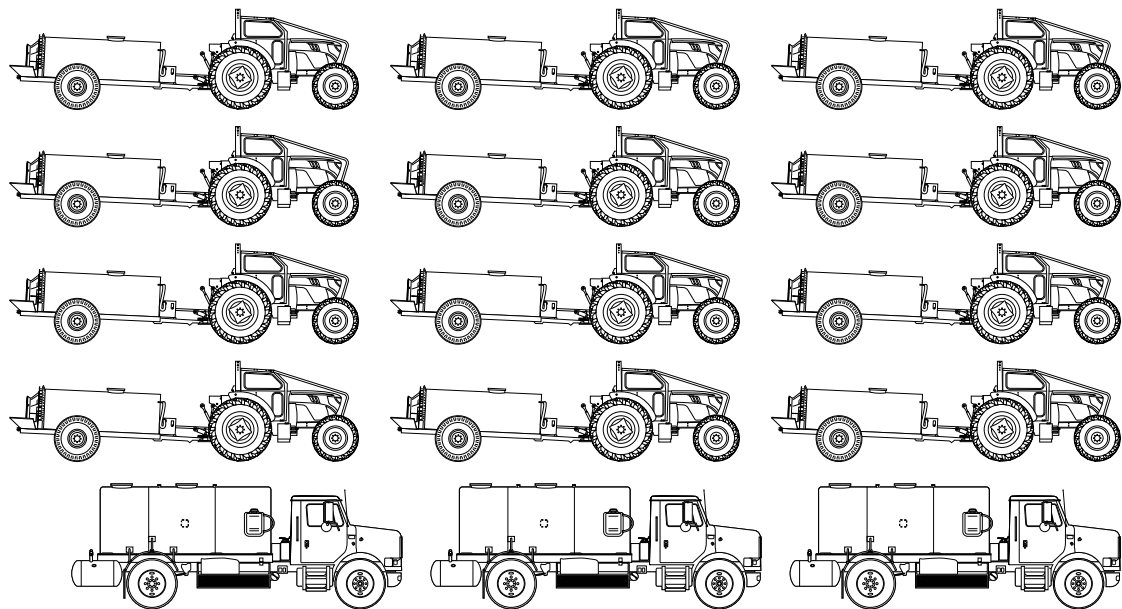
At medium scales, GUSS's benefits are readily apparent. As the above illustration demonstrates, GUSS requires growers to purchase, utilize, and maintain fewer pieces of equipment — which immediately reduces overhead. Additionally, GUSS eliminates pain points traditionally associated with

laborers: lack of dependability, breaks and downtime, human error, supplying workers with PPE/shade/water, and labor inspections. By letting GUSS drive itself, farmers can simplify operations, increase efficiency, and reduce dependence on unreliable laborers. Best of all, GUSS pays for itself. Most

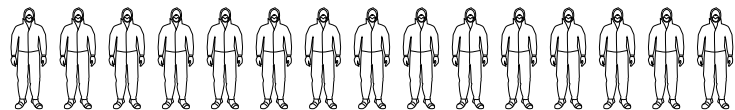
GUSS operators see ROI in one to three years.

Let us show you how you can operationalize the benefits of GUSS:

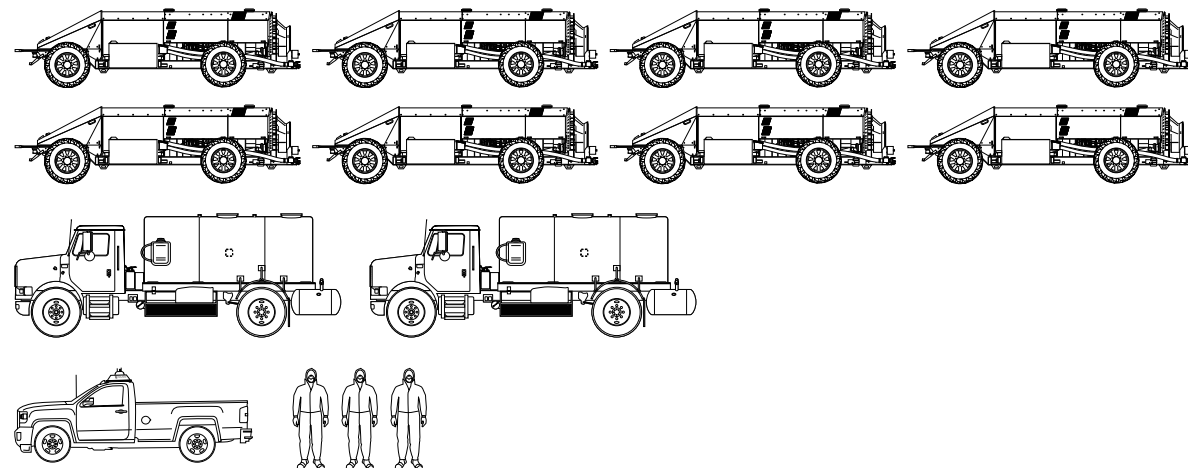
Conventional



12 conventional tractors
12 conventional sprayers
3 nurse trucks
15 workers with PPE



GUSS



8 GUSS sprayers
2 nurse trucks
1 pickup with GUSS supervisor laptop
3 workers with PPE

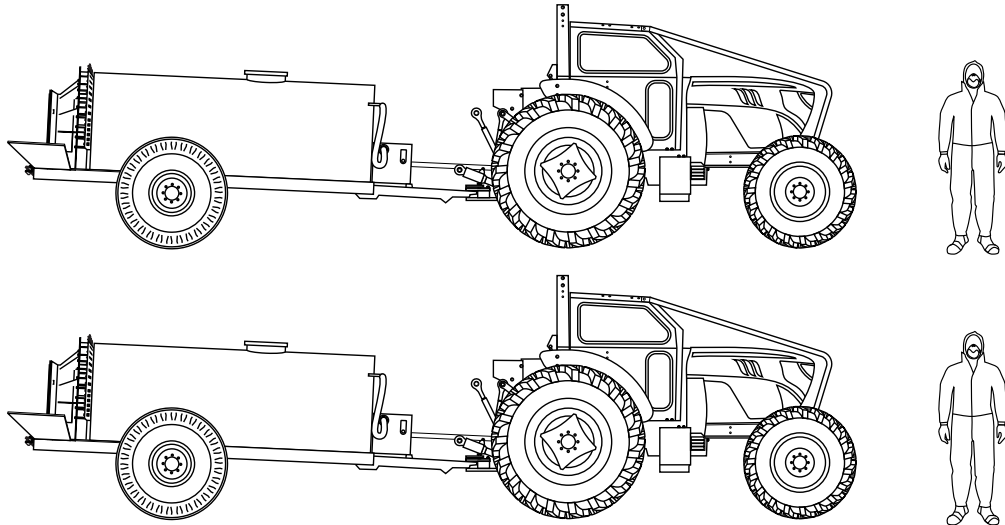
Case study: GUSS at larger scales

Spraying a large amount of acreage with traditional sprayers requires a lot of equipment — and a large labor force to operate it. Instead of focusing on farming, growers are forced to contend with labor-associated headaches (worker dependability, human error, PPE, shade, water, and labor

inspections). GUSS sprays orchards with fewer pieces of equipment (cutting down on overhead) while reducing the need for traditional laborers. At nearly every turn, GUSS is a better orchard spraying solution for large-scale growers.

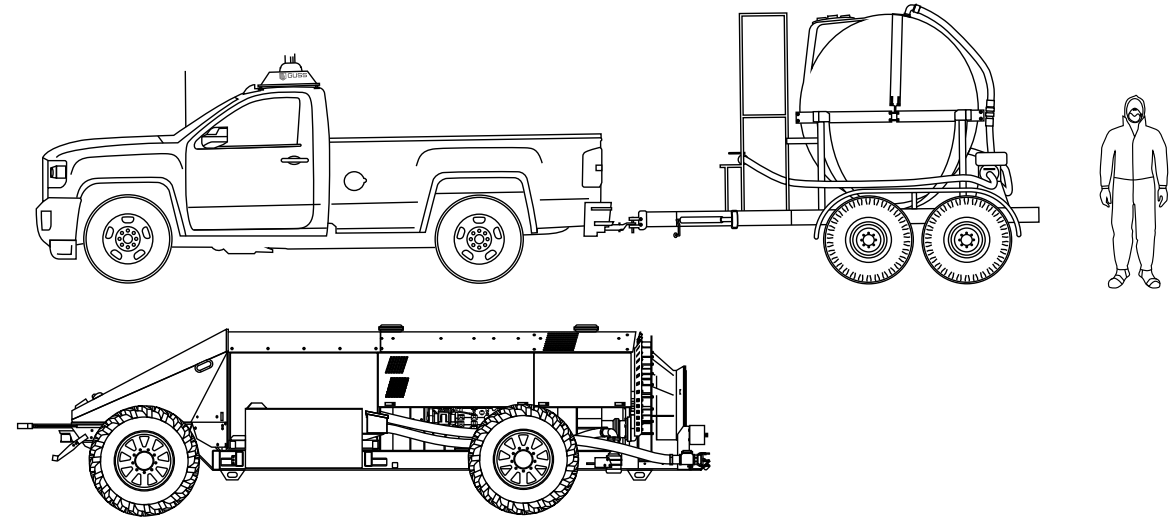
Let us show you how you
can operationalize the
benefits of GUSS:

Conventional



- 2 conventional tractors
- 2 conventional sprayers
- 2 workers with PPE
- Sprayers mix and fill at pump

GUSS



- 1 GUSS sprayer
- 1 pickup with laptop towing nurse trailer
- 1 worker with PPE

Case study: GUSS at small scales

Even at smaller scales, GUSS makes good sense. A single employee can double his acreage everyday using a GUSS sprayer. How so? While GUSS is out spraying, the operator is free to drive his pickup with a nurse tank attached behind him to the pump to mix more materials. When full, he can

return to the field and wait for GUSS to stop for a refill – all while monitoring GUSS on his laptop computer. When GUSS is empty, he refills its tank and sends it on its way again. A typical 45 minute downtime to refill is now reduced to just 3 minutes, and GUSS is on its way again!

Let us show you how you can operationalize the benefits of GUSS:



Map fields

Building a field map is a fast and easy process that can be done in the office. Then, complete the process with a quick on-farm visual check to “ground truth” the map. That’s it. The map can be saved and used for the life of the orchard.



Configure sprayers

GUSS sprayers must then be configured for the application they are to perform. Determine which spray nozzles to use and then configure GUSS’s software to set vehicle speed, engine RPM, pump pressure, material flow rate, and rows per refill.



Assign routes

Lastly, assign a route to each sprayer to identify which rows it will spray. GUSS’s user interface includes a route generator tool to make this process fast and fail-safe.

Setup

GUSS’s navigation system is so easy to set up and use that most growers can be up and running in just a few hours. Initial setup follows an easy 3-step process. GUSS was designed

to be operated by existing on-farm personnel.

Learn more at
our website:





Monitoring

A single operator can monitor up to 8 GUSS sprayers at a time from the comfort and safety of a pickup truck using a laptop computer. GUSS's user interface provides operators with important sprayer information (position, spray rate,

speed, etc.) in real time. In the event that an issue is detected onboard a GUSS sprayer, the interface automatically sends both visual and audible alerts to the operator, directing his attention to the exact problem so he can take quick corrective

action and get back up and running.

Learn more at
our website:



GUSS has had a major impact on my farm by allowing me to do more with less. We get more acres done every shift due to less stopped and downtime. My dependency on labor and all the challenges that come along with it has greatly decreased. In my opinion, GUSS autonomous sprayers are the only way to go moving forward.

— Mike Carr
Five Star Farms





Made in the USA

GUSS was developed in the heart of California's Central Valley, which is home to much of the world's high value orchard crops such as almonds, pistachios, walnuts, citrus, and stone fruit.

Each GUSS sprayer is proudly crafted by hand at our

state-of-the-art manufacturing facility in Kingsburg, California.

Order your GUSS
sprayers today:





Dave Crinklaw – CEO
Gary Thompson – COO
Chase Schapansky – CTO

About GUSS

CEO Dave Crinklaw formed his commercial spraying business Crinklaw Farm Services (CFS) in 1982 and has developed a stellar reputation of quality, service, and integrity amongst growers across California and Arizona. GUSS is the latest in a long line of innovations from CFS and was developed to address common pain points associated with CFS's orchard spraying business.

GUSS Automation, LLC was launched as a separate business entity to manufacture and sell GUSS sprayers to growers so that any ag business can experience the benefits that GUSS's technology offers. We are a team of ag industry veterans with a desire to increase efficiency, precision, and safety by implementing innovative new technologies in agriculture.



GUSS

2545 Simpson Street
Kingsburg, California 93631
559-897-0245
info@GUSSAG.COM

Order yours today

GUSSAG.COM